



Scalpelli



Bonechisels



Flachmeißel



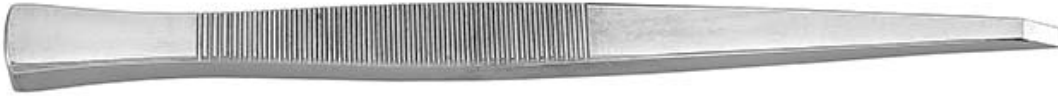
Cinceles

Strumentario

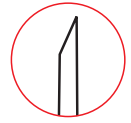


Partsch

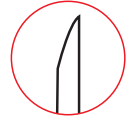
← 140 →



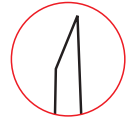
KN 67.510.03



KN 67.510.04



KN 67.510.05



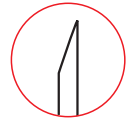
← 170 →



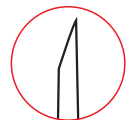
KN 67.514.03



KN 67.514.04



KN 67.514.05



Mini Lambotte

← 130 →



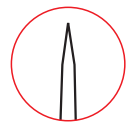
KN 67.554.04

4



KN 67.554.06

6



KN 67.554.08

8



Sgorbie

Strumentario



Bonechisels



Flachmeißel



Cinceles

← 140 →



KN 67.512.03



KN 67.512.04



KN 67.512.05



← 170 →



KN 67.516.03



KN 67.516.04



KN 67.516.05



Raspe per osso

Strumentario

Koine

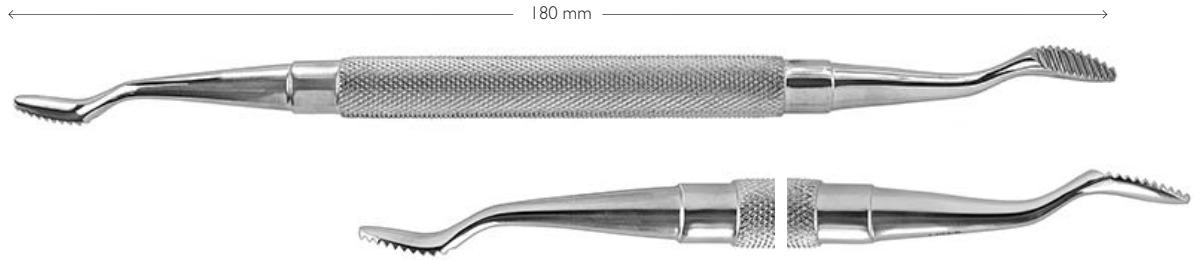
Bone files

Knochen feilen

Linaste huesos

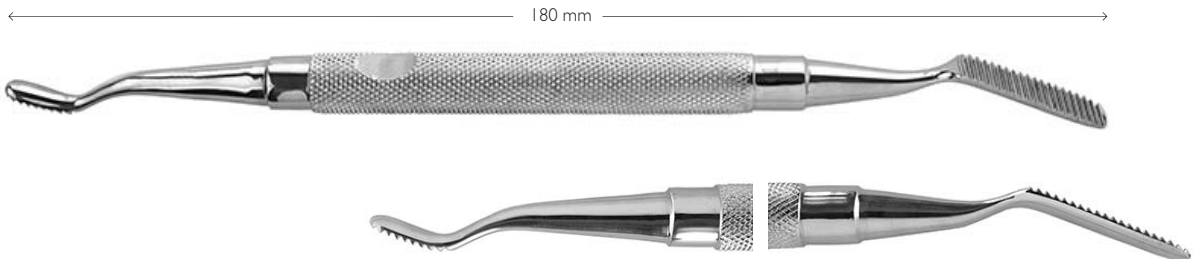
Miller

KN 67.180.01



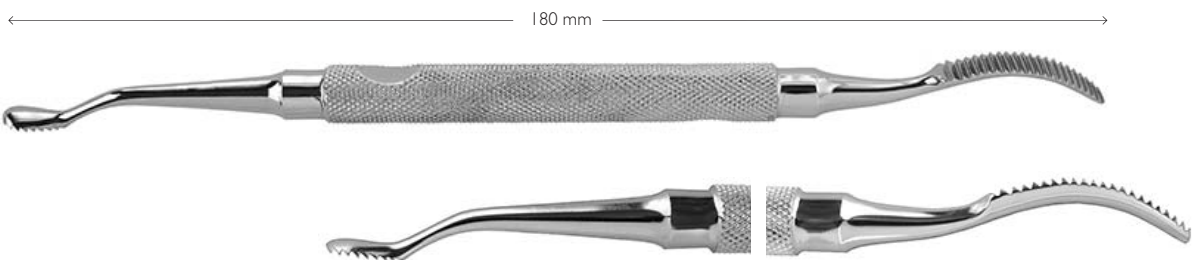
Miller

KN 67.180.02



Miller

KN 67.180.03





Scalpell



Bonechisels



Flachmeißel



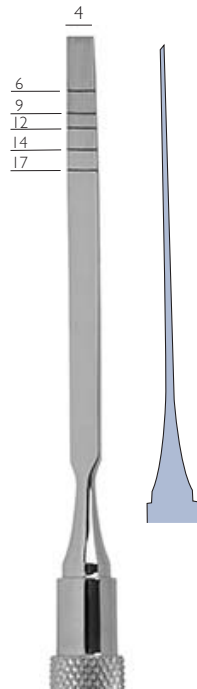
Cinceles

Strumentario

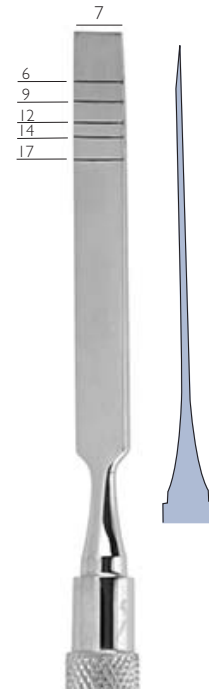


Graduati dritti
doppio bisello

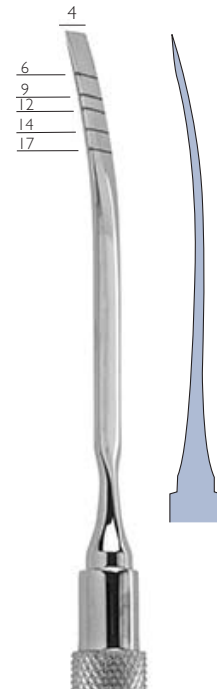
Graduati curvi
doppio bisello



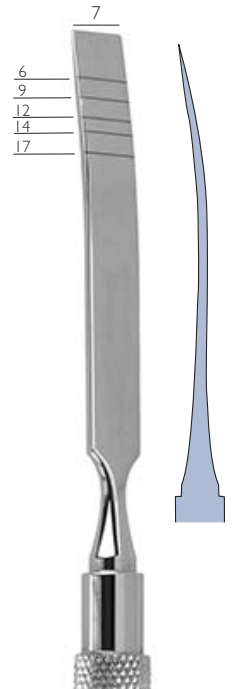
KN 67.401.04



KN 67.401.07

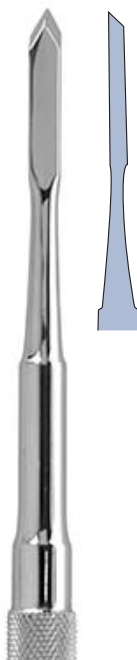


KN 67.402.04

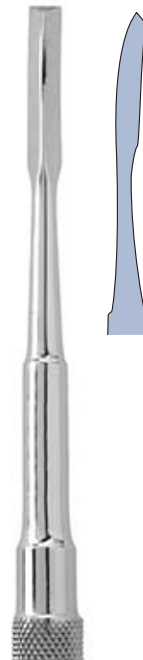


KN 67.402.07

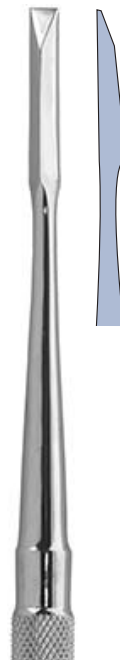
Scalpell per osso



KN 67.520.00



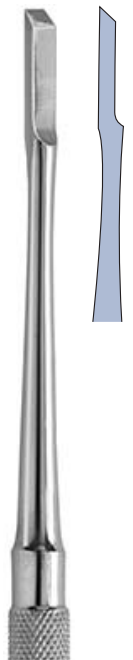
KN 67.520.01



KN 67.520.02



KN 67.520.03



KN 67.520.04

Martelli

Strumentario

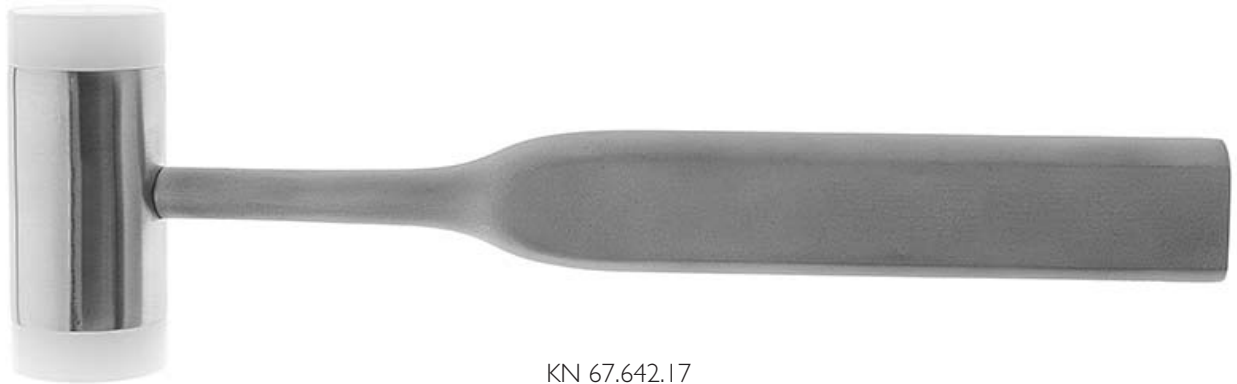
Koine

Mallets

Hämmer

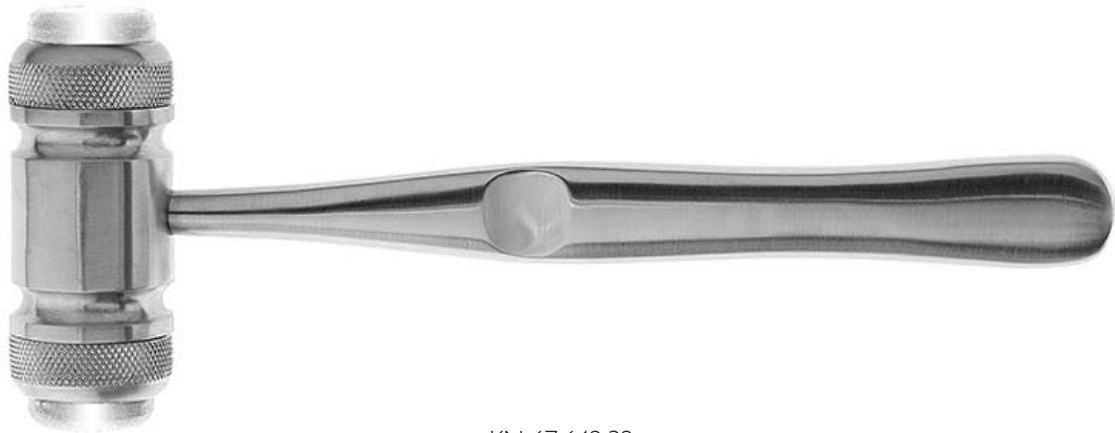
Martillos

← 190 →



KN 67.642.17

← 170 →



KN 67.642.32

← 170 →



KN 67.642.33

Compattatori per osso

Strumentario

Koine

Compactors bone

Verdichter Knochen

Compactadores de hueso

← 155 →



∅ mm 4

KN 67.691.01



∅ mm 3

← 155 →



∅ mm 8

KN 67.691.02



∅ mm 6

Curette del seno

Strumentario

Koine

Sinus lift elevators

Sinus-lift elevatoren

Sinus-lift elevadores

← 170 →



KN 67.685.01



KN 67.685.02



KN 67.685.03



KN 67.690.01



KN 67.694.02



KN 67.696.01



KN 67.696.02



KN 67.696.03



Curette del seno

Strumentario



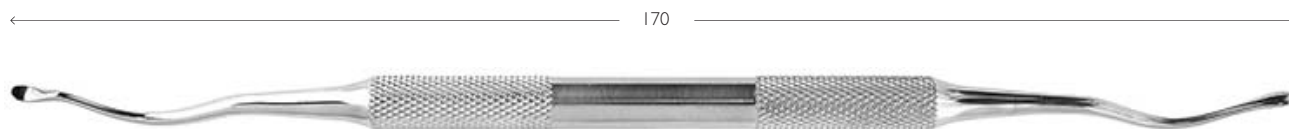
Sinus lift elevators



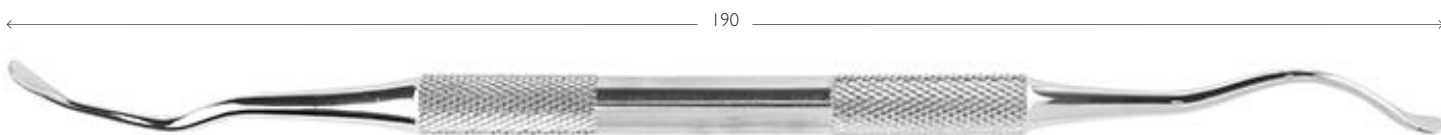
Sinus-lift elevatoren



Sinus-lift elevadores



KN 67.695.01



KN 67.695.02



KN 67.695.03



KN 67.695.04



KN 67.695.05



KN 67.695.06



KN 67.695.07

Curette chirurgiche

Boné curette

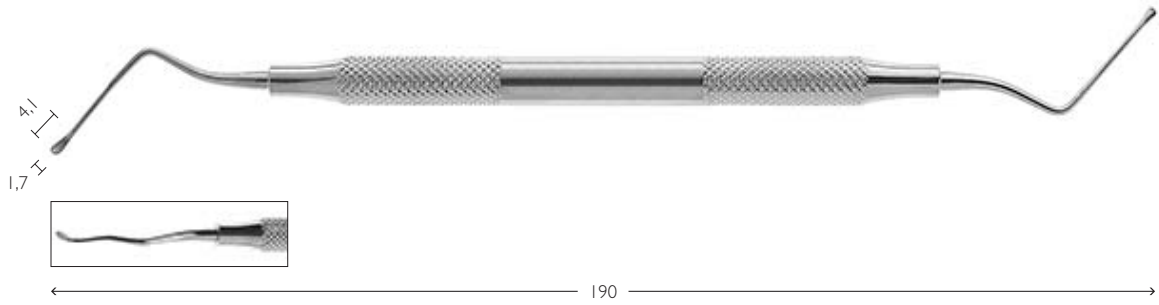
Scharfe Löffel

Cucharillas cortantes

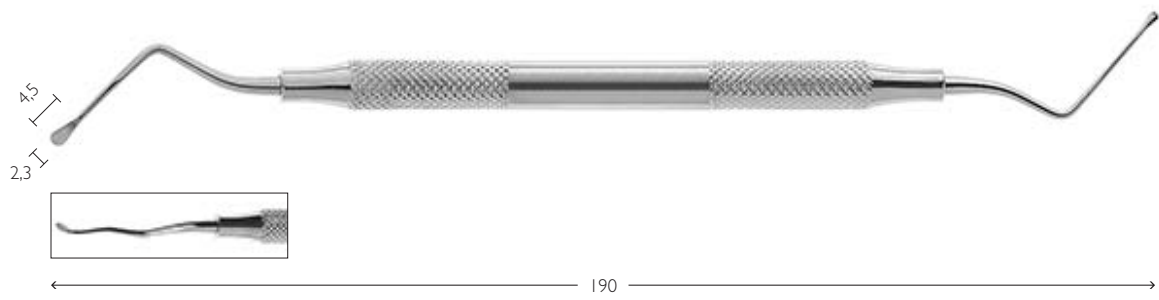
Strumentario



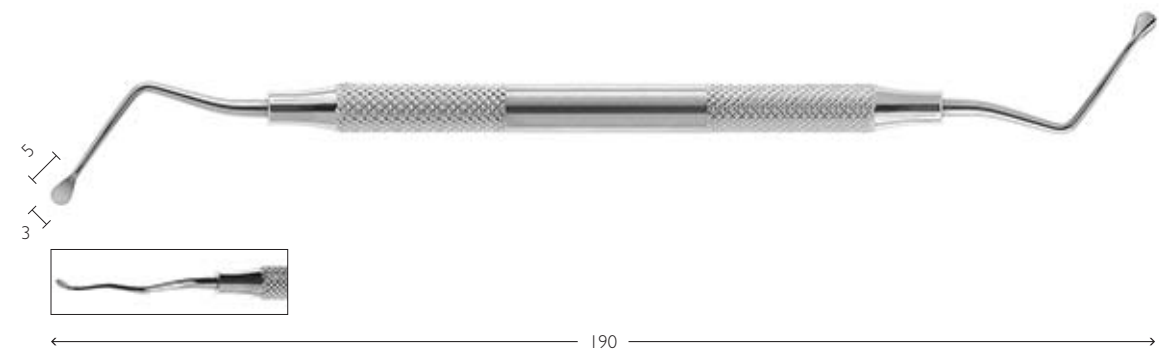
Lucas



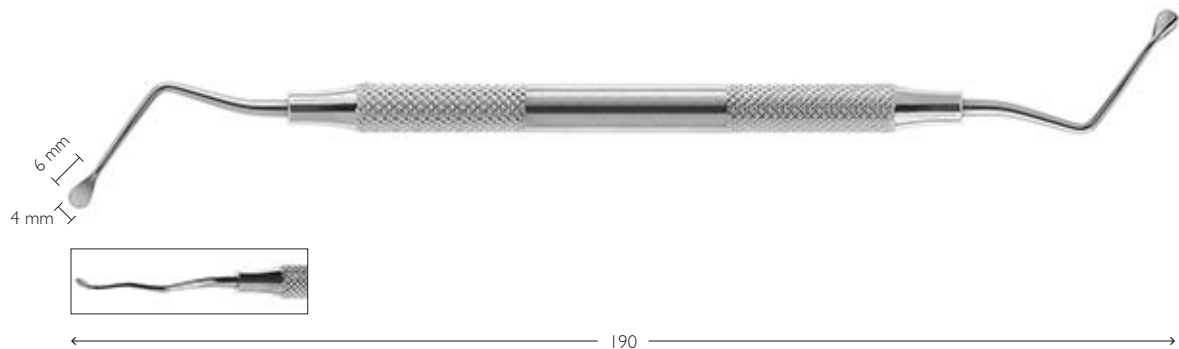
KN 67.797.01



KN 67.797.02



KN 67.797.03



KN 67.797.04

Curette chirurgiche

Strumentario

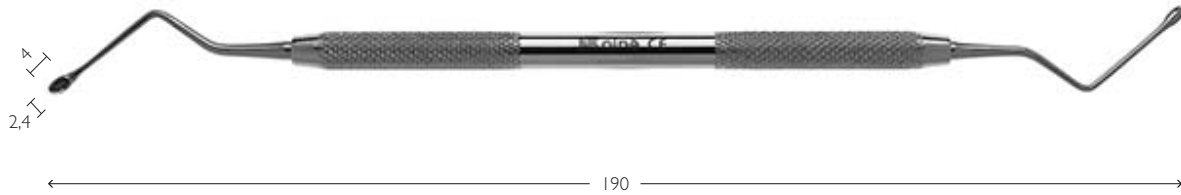
Koine

Boné curette

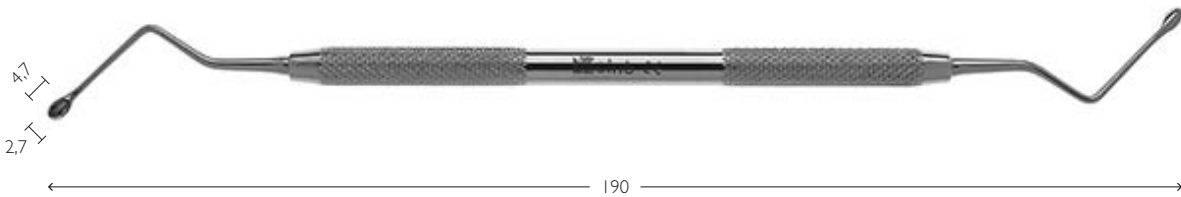
Scharfe Löffel

Cucharillas cortantes

Cucchiai Hemingway



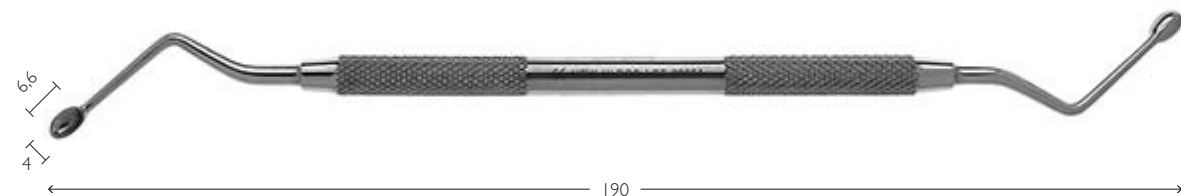
KN 67.799.01



KN 67.799.02

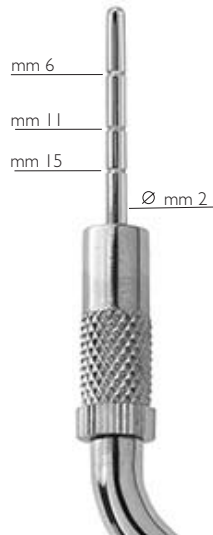
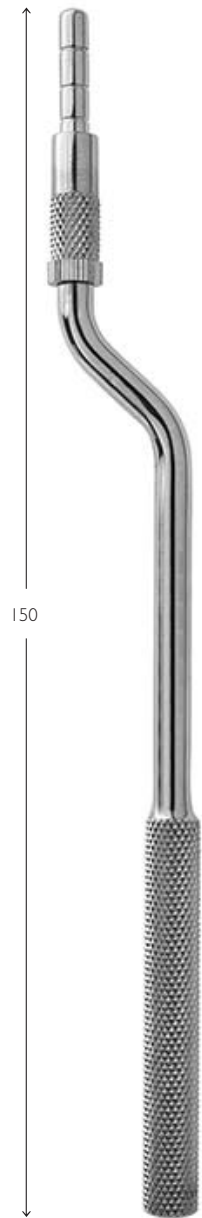


KN 67.799.03



KN 67.799.04

- Osteotomi
- Osteotomes
- Osteotome
- Osteotomos



KN 67.851.01



KN 67.851.02

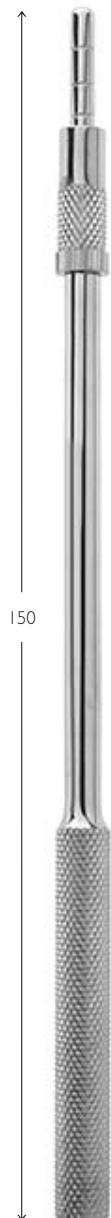


KN 67.851.03



KN 67.851.04

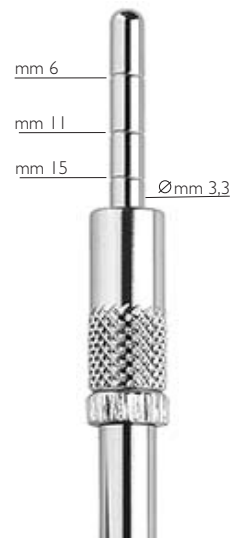
Convessi - diritti con stop



KN 67.850.01



KN 67.850.02



KN 67.850.03

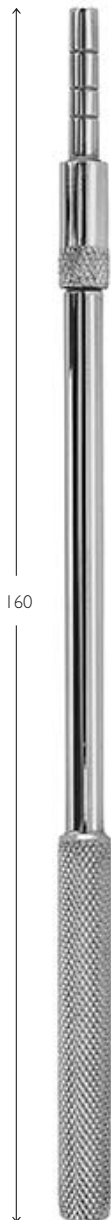
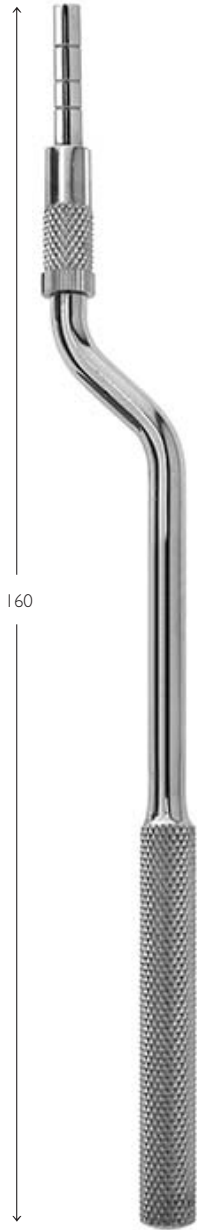


KN 67.850.04



- Osteotomi
- Osteotomes
- Osteotome
- Osteotomos

Concavi - baionetta con stop



KN 67.853.01



KN 67.853.02



KN 67.853.03



KN 67.853.04

Concavi - diritti con stop



KN 67.852.01



KN 67.852.02



KN 67.852.03



KN 67.852.04





Osteotomi

Strumentario



Osteotomes



Osteotome



Osteotomos



Dilatatori



KN 67.860.20

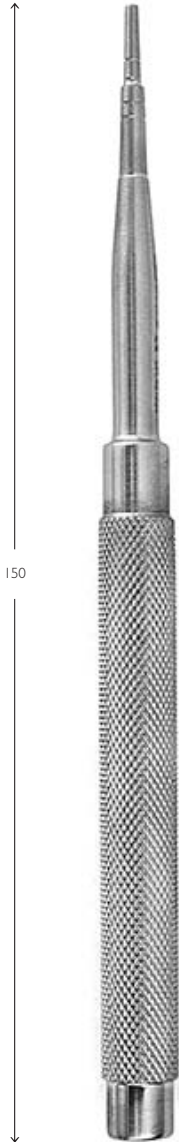
KN 67.860.26

KN 67.860.32

KN 67.860.37

- Osteotomi
- Osteotomes
- Osteotome
- Osteotomos

Sammer



150

	Ø 1,60
mm 7,5	Ø 1,80
mm 10	Ø 2,00
mm 13	Ø 2,40
mm 15,5	Ø 3,60



KN 67.861.01

	Ø 1,90
mm 7,5	Ø 2,20
mm 10	Ø 2,35
mm 13,5	Ø 3,30
mm 13,5	Ø 3,40
mm 25	Ø 4,50



KN 67.861.02

	Ø 2,50
mm 7,5	Ø 3,20
mm 10,5	Ø 3,35
mm 13,5	Ø 3,50
mm 13,5	Ø 3,60
mm 21	Ø 4,40



KN 67.861.03

	Ø 3,10
mm 7,5	Ø 3,70
mm 10,5	Ø 3,90
mm 15,5	Ø 4,30



KN 67.861.04

	Ø 3,90
mm 10	Ø 5,00
mm 13	Ø 5,20
mm 20,5	Ø 6,30



KN 67.861.05

	Ø 5,50
mm 10	Ø 6,20
mm 13	Ø 6,30



KN 67.861.06

Iniettori di osso

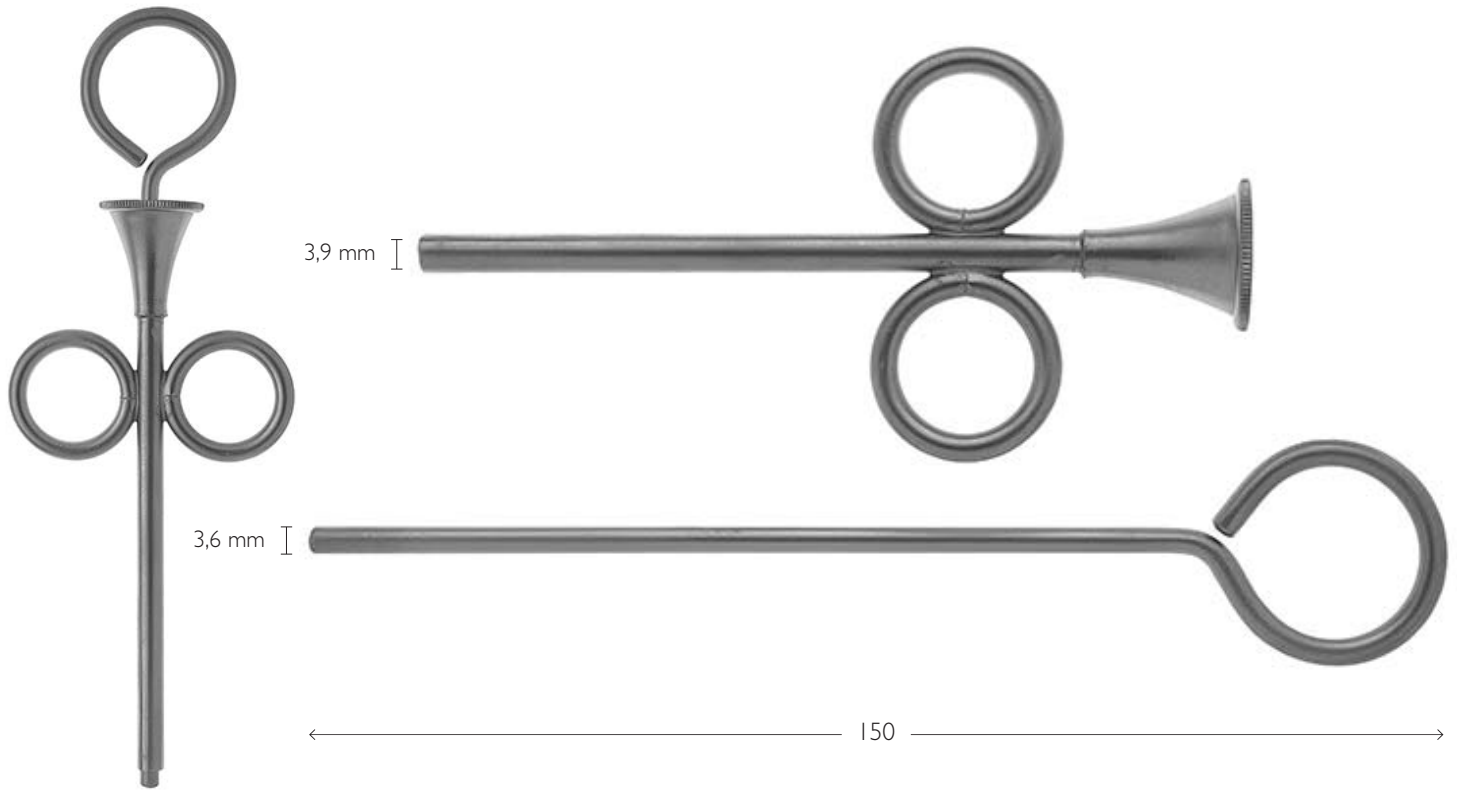
Strumentario



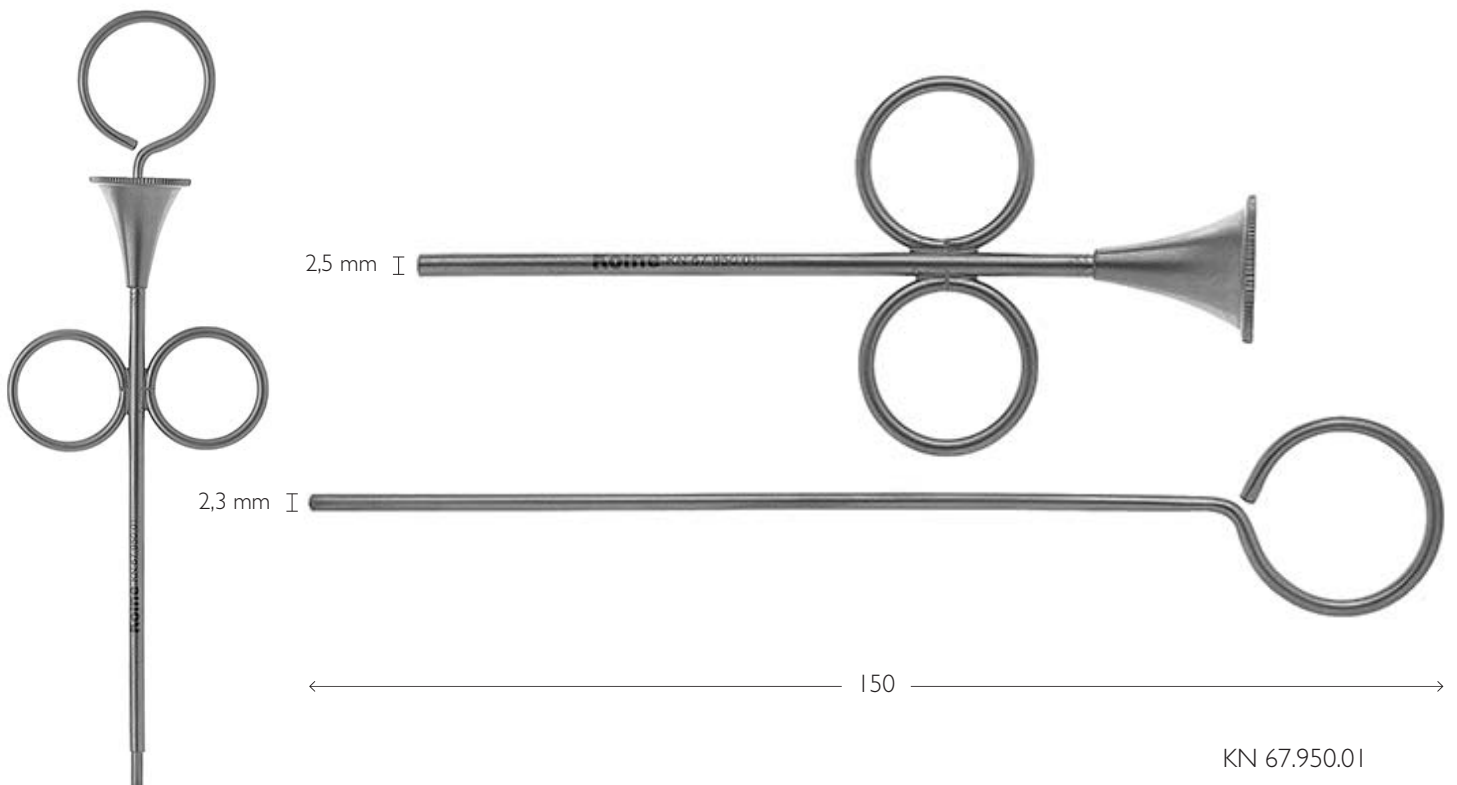
Bone Injectors

Injertion von Knochen

Inyector para huese



KN 67.950.02



KN 67.950.01



Calibri

Strumentario



Dental callipers



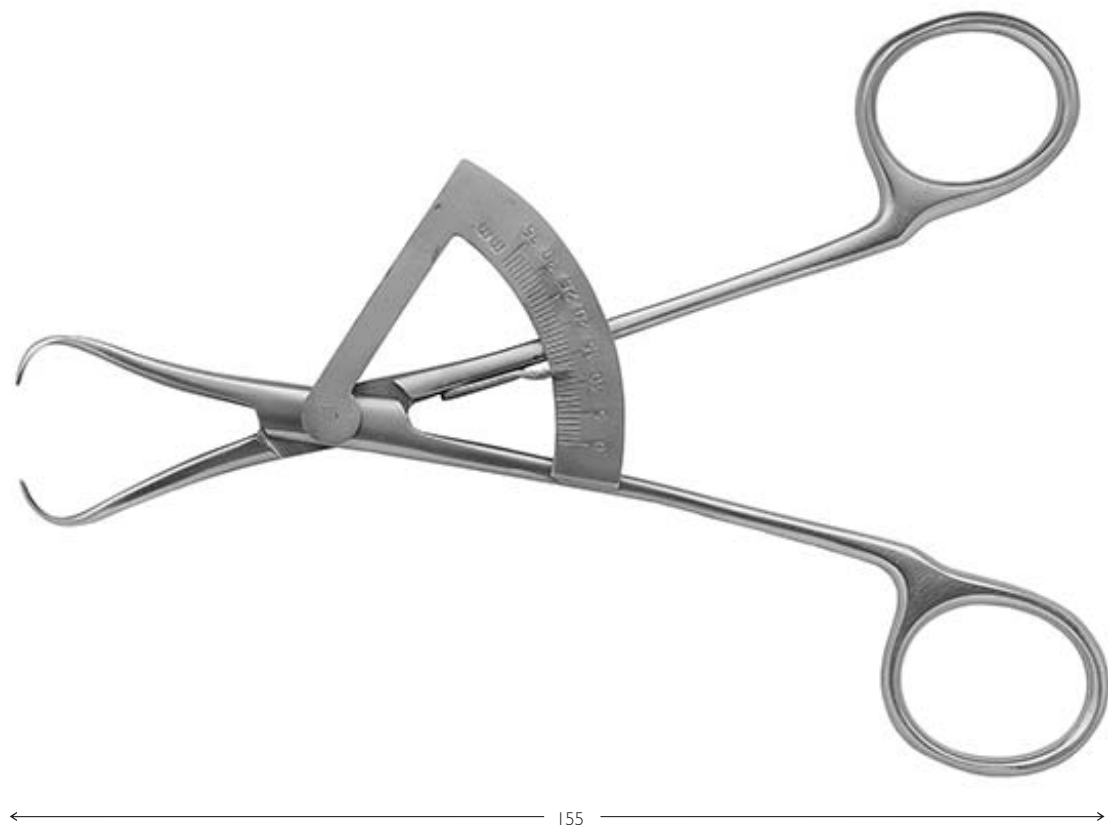
Dental Messschieber



Calibre dental



KN 67.967.17



KN 67.967.15